



Main Features:-

- ◆ Butt Weld Ends
- ◆ Welded A105 Carbon Steel Body
- ◆ Temperature -20°C to 200°C
- ◆ Reduced Bore, Firesafe Design
- ◆ Lever Operated up to 8", 10" Gearbox Op.

*Temperature and pressure determined by valve body, seat etc.

Suitable Applications & Approvals:



INDUSTRY

SERIES: 10145

MANUFACTURER: **AVOL**
INDUSTRIAL VALVES

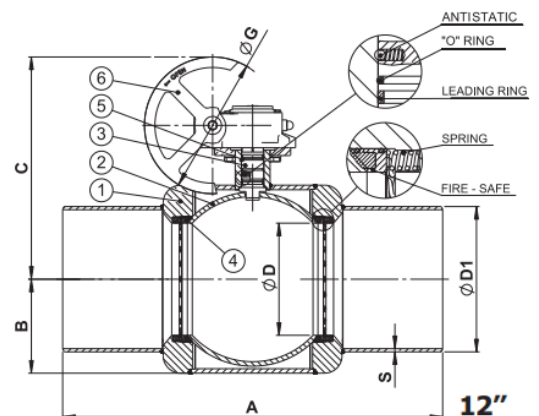
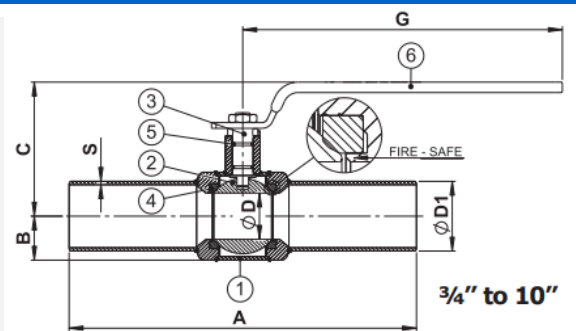
ALL VALVES ONLINE

AllValves Online™ have used decades of experience in the valve industry to select a range of products that match the Allvalves Online ethos - value for money. All Valves Products are from reputable sources and have been sold in significant quantities for many years, are installed in a wide variety of applications, and are known to be durable in service.

No	Name	Materials	Size	Pressure
1	Body	WCB		
2	Ball	AISI 304	3/4" to 2"	PN40
3	Stem	AISI 420	2 1/2" to 5"	PN25
4	Seats	PTFE	6" to 12"	PN25
5	O'Ring	PTFE		
6	Handle	Galvanized Carbon Steel		

VALVE DIMENSIONS

Size	A	B	C	ØD	ØD1	G	S	Kg
3/4"	270	16.9	71.6	15.8	26.9	161	2.6	0.81
1"	270	21.2	82.7	20	33.7	161	2.6	1.05
1 1/4"	270	24.2	90.3	25	42.4	161	2.6	1.35
1 1/2"	270	30.2	108.3	31	48.3	2237	2.9	1.91
2"	300	38.1	116	40	60.3	276	2.9	3.78
2 1/2"	360	44.5	122.5	50	76.1	276	3.2	5.37
3"	390	57.2	148.6	63.5	88.9	340	3.2	9.19
4"	450	69.9	160.6	78	114.3	340	3.6	14.4
5"	525	84.2	174.6	99	139.7	340	4	22.2
6"	600	109.6	219	125	168.3	545	4.5	33.5
8"	600	136.5	246	150	219.1	545	6.3	56
10"	730	177.8	322.5	200	273	1000	6.3	116.5
12"	850	209.5	495	250	323.9	305	7.1	176.2



T +44 (0)1386 552369

E sales@allvalves.co.uk

W www.allvalves.co.uk

F +44 (0)1386 554227